

CATALOGUE 2005



MEGA

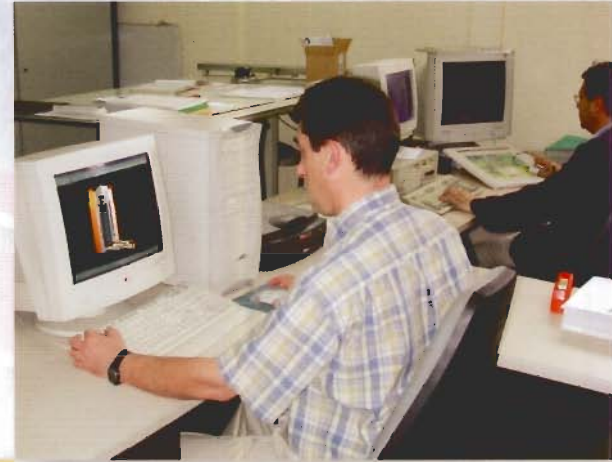
POWER IN ACTION



CATALOGO PRODUCTO 2005

MEGA

MEGA



We have come a long way, but after more than fifty years our course is still marked by the desire to achieve quality and innovation so that we can live up to our permanent commitment to improvement.

We maintain our innovative spirit, high standards of quality and strict checks of material and processes.



MEGA

A process of constant innovation has led to considerable technical advances in our products.



LCS. This device acts automatically to regulate the speed of descent of the load.



"Dead man's" principle. Stops the drive if the user accidentally loses control of the mechanism.



Safety valve. Our articles are designed with a safety margin of 50%, but fitted with a valve not to exceed the rated capacity.



Hydraulic stroke limitation. To prevent the ram from exceeding its stroke.

We are making our tools more powerful, safer, more operative and longer lasting, thus placing all our experience in your hands.



HYDRAULIC BOTTLE JACKS

The base, pressure cylinder and oil deposit form one integral part and provide more strength and safety to the jacks.

Any pressure loads produced by the vehicle axle tilting are absorbed as the piston never comes into contact with the cylinder. Therefore the jack will not be damaged even if the vehicle tilts.

Quick and easy maintenance.

The three-piece zinc coated handle is stored in the jack carton.

With carrying handle from MG-20 on.



MG-5

The MEGA jacks can be used horizontally when required.

Set the jack with the pump down

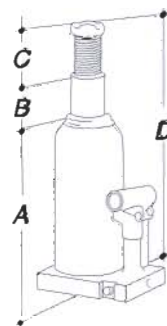


In option, up to 5t

The MGD-50 and MGD-100 jacks are fitted with two pumps (approach and operation). The MGD-100 model is fitted with pressure gauge.



MGD-100



A: Minimum height
B: Hydraulic stroke
C: Extension screw
D: Total height

Capacity (t)

Measures (mm)

| | 2 | 3 | 3 | 5 | 8 |
|-------------------------|-----|-----|-----|-----|-----|
| A | 160 | 168 | 210 | 212 | 219 |
| B | 100 | 105 | 150 | 150 | 150 |
| C | 50 | 65 | 65 | 75 | 75 |
| D | 310 | 338 | 425 | 437 | 444 |
| Weight (kg) with handle | 3,6 | 3,9 | 4,2 | 5 | 5,9 |



References


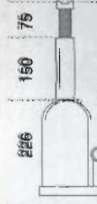








| | | | | |
|------|------|-------|------|------|
| MG-2 | MG-3 | MG-3A | MG-5 | MG-8 |
|------|------|-------|------|------|

HYDRAULIC BOTTLE JACKS



MG-30

| | 10 | 12 | 15 | 20 | 25 | 30 | 40 | 50 | 50 | 100 |
|----------|-----|-----|-----|------|-----|------|------|------|-----|-----|
| Height | 219 | 226 | 228 | 234 | 240 | 242 | 246 | 252 | 270 | 300 |
| Stroke | 150 | 150 | 150 | 150 | 150 | 150 | 150 | 150 | 150 | 150 |
| Capacity | 75 | 75 | 75 | 75 | 75 | 75 | - | - | - | - |
| Weight | 444 | 451 | 453 | 459 | 465 | 467 | 396 | 402 | 420 | 450 |
| Course | 6,5 | 8 | 9 | 12,1 | 15 | 15,5 | 23,5 | 28,5 | 40 | 87 |

| | | | | | | | | | |
|--|---|---|---|---|---|---|---|--|---|
|  |  |  |  |  |  |  |  |  |  |
| MG-10 | MG-12 | MG-15 | MG-20 | MG-25 | MG-30 | MG-40 | MG-50 | MGD-50 | MGD-100 |

SPECIAL JACKS



MG-5-EM



With the same technical features as those of our MG jacks. Designed to suit special applications.

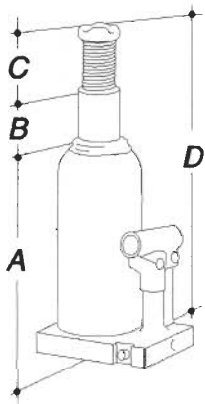
The lower height of the MGS jacks facilitates easy access to low jacking points. However, the MG-2L is used for vehicles with a high jacking point.

The EM jacks are fitted with specially designed lifting support for vehicles requiring this type of jacking head.

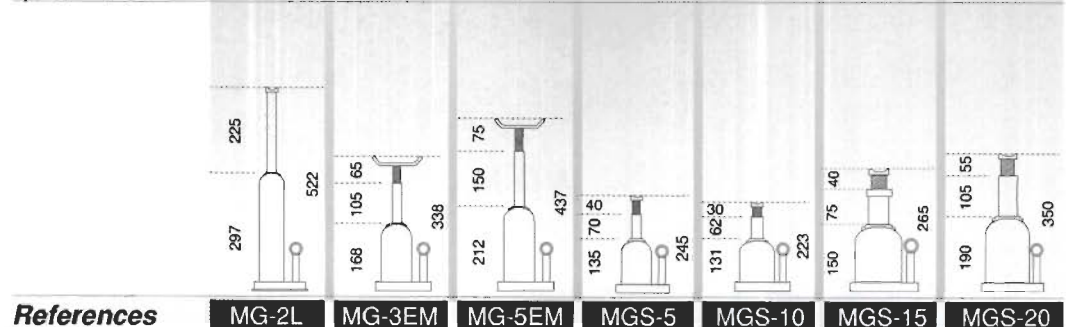
Other designs of jacks with special technical requirements can be manufactured on request, depending on quantities ordered. We also supply jacks fitted with a pressure gauge.



Option: up to 5t.



| Capacity (t) | 2 | 3 | 5 | 5 | 10 | 15 | 20 |
|---------------|-----|-----|-----|-----|-----|-----|-----|
| Measures (mm) | | | | | | | |
| A | 297 | 168 | 212 | 135 | 131 | 150 | 190 |
| B | 225 | 105 | 150 | 70 | 62 | 75 | 105 |
| C | - | 65 | 75 | 40 | 30 | 40 | 55 |
| D | 522 | 338 | 437 | 265 | 223 | 265 | 350 |
| Weight (kg) | 6 | 4,1 | 5,2 | 4,3 | 5,5 | 7,5 | 10 |



References MG-2L MG-3EM MG-5EM MGS-5 MGS-10 MGS-15 MGS-20

TOE JACK



MGL-10

Ideal for difficult lifting, supporting, levelling or positioning of fork-lifts, heavy machines and numerous jobs where space is tight.

MGL-10 is the combination of BL-10 heavy-duty structure and MG-10* bottle jack.

*Can also be used with MG-8 bottle jack.



BL-10

Heavy-duty structure.

Extra low profile lifting toe (25mm)

TELESCOPIC BOTTLE JACKS



MGT-2

They include the same technical improvements as our MG jacks. A telescopic piston allows for a very low initial height with a high lifting range.

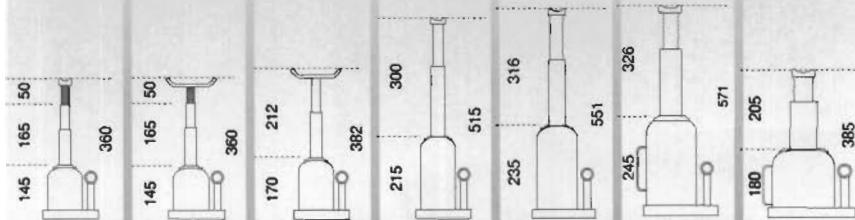
The models MGT-12 and MGT-20 are fitted with a carrying handle.

Capacity (t)

2 2 2 5 8 12 20

Measures (mm)

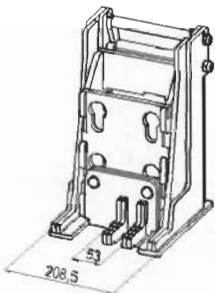
| | | | | | | | |
|--------------------------------|-----|-----|-----|-----|-----|-----|-----|
| A | 145 | 145 | 170 | 215 | 235 | 245 | 180 |
| B | 165 | 165 | 212 | 300 | 316 | 326 | 205 |
| C | 50 | 50 | - | - | - | - | - |
| D | 360 | 360 | 382 | 515 | 551 | 571 | 385 |
| Weight (kg) with handle | 4,8 | 5 | 5,3 | 8,5 | 12 | 17 | 22 |



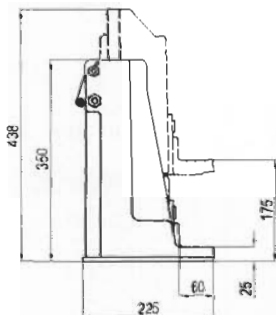
References

MGT-2 MGT-2MI MGT-2EM MGT-5 MGT-8 MGT-12 MGT-20

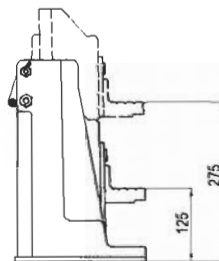
The toe is detachable and adjustable to 2 fixed positions:



Weight: 22 kg



Position 1 : Extremely low pick up point



Position 2: For higher pick up point



HYDRAULIC TROLLEY JACKS

All models, TJ-1,5A excluded, are fitted with a foot pedal for quick approach of the lifting saddle to load.

The models under 6t are fitted with polyamide wheels and castors to facilitate manoeuvrability. These wheels will not damage garage floors, do not rust and are quiet in operation.

The rubber coated "T" handle facilitates easier operation



TJ-1,5LA

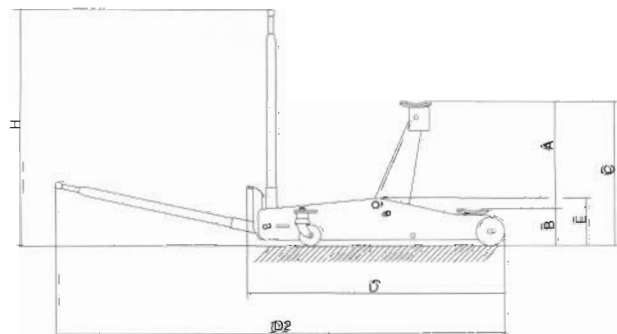
High lifting range.
Maximum height: 815 mm.

Optional: rubber pad for the saddles.

The reduced height (45 mm without saddle and 70 mm with saddle) allows easier access. Internal and retractable wheel for easy manoeuvrability. Robust and wide front wheels for durability and stability only work when under load.



TJC-2A



| | |
|----------------------|------|
| Capacity (t) | 1,5 |
| Measures (mm) | |
| A | 365 |
| B | 125 |
| C | 490 |
| D | 855 |
| D 2 | 1670 |
| E | 165 |
| F | 245 |
| G | 360 |
| H | 990 |
| Weight (kg) | 33 |



References

TJ-1.5 A

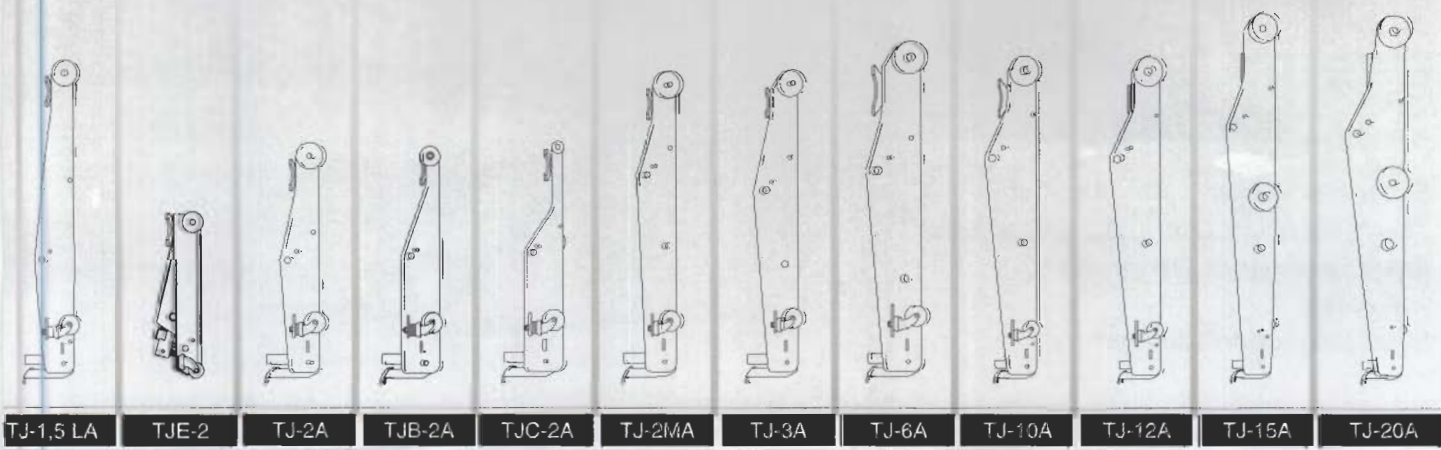
* without saddle

HYDRAULIC TROLLEY JACKS



TJ-2A

| 1,5 | 2 | 2 | 2 | 2 | 2 | 3 | 6 | 10 | 12 | 15 | 20 |
|------|------|------|------|------|------|------|------|-------|-------|------|------|
| 690 | 370 | 365 | 395 | 395 | 365 | 380 | 380 | 380 | 380 | 395 | 380 |
| 125 | 120 | 125 | 75 | 45* | 125 | 145 | 195 | 195 | 195 | 180 | 205 |
| 815 | 490 | 490 | 470 | 465 | 490 | 525 | 575 | 575 | 575 | 575 | 585 |
| 1270 | 590 | 900 | 900 | 900 | 1175 | 1220 | 1300 | 1600 | 1600 | 1845 | 1845 |
| 2255 | 1255 | 1885 | 1885 | 1885 | 2030 | 2215 | 2300 | 2600 | 2600 | 2845 | 2845 |
| 180 | 165 | 165 | 150 | 150 | 165 | 190 | 220 | 260 | 260 | 255 | 300 |
| 375 | 275 | 245 | 270 | 270 | 245 | 250 | 300 | 345 | 350 | 220 | 270 |
| 375 | 345 | 360 | 360 | 360 | 360 | 350 | 425 | 425 | 425 | 360 | 410 |
| 990 | 890 | 990 | 990 | 990 | 990 | 1100 | 1100 | 1100 | 1100 | 1110 | 1120 |
| 60,5 | 30 | 34,5 | 34 | 41 | 37 | 52 | 82 | 111,5 | 130,5 | 160 | 257 |



TJ-1,5 LA TJE-2 TJ-2A TJB-2A TJC-2A TJ-2MA TJ-3A TJ-6A TJ-10A TJ-12A TJ-15A TJ-20A

AIR HYDRAULIC TROLLEY JACKS

The operator will always be in control of the operation even if the air supply is interrupted.
Easy positioning under the vehicle and manoeuvrability.

Range capacity: from 10t to 60t.
Minimum height: from 155 mm to 214 mm.

Supplied with one 100 mm extension adapter for added height requirements.

Compact design enables the jack to fit easily between tandem wheels.



MGNT-14C



MGNT-10LA

Extra low model.
The reduced height (120 mm) allows easier access to low profile vehicles.
Ideal for modern buses.

A pneumatic device gives a fast lifting speed and self-retracting ram descent.

Precision-Chromium plated rams for long life.

Reduced minimum heights to suit requirements of vehicles with low ground clearance.

Workshop in-line air filter-regulator-lubricator Ref. A-5270. (Optional).

The use of an air purifying-regulator-lubricator is absolutely vital to ensure the correct use of the jack.



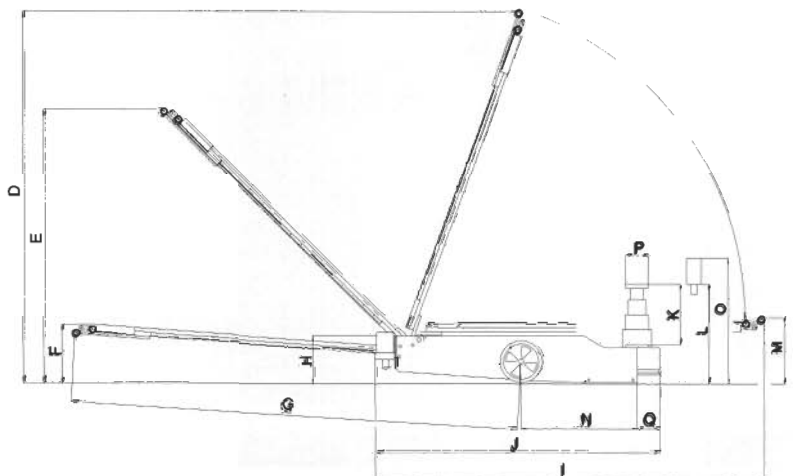
!! INDISPENSABLE!!

Air filter on the jack. Ref. A-5271. (Optional).

In case of inadequate air line, fit an air filter to the inlet connector of the jack as a minimum precaution measure to prevent water and dirt from entering. Only for sporadic use. For correct operations, use the in-line air filter-regulator-lubricator unit.



MGNT-20



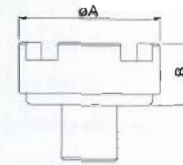
AIR HYDRAULIC TROLLEY JACKS

Hand lever locks in four different positions: horizontal, 45° and vertical to easily place the jack under the load, or collapsed to reduce transport cost.

The hand lever is fitted with a butt to avoid the user rubbing his hands on the ground during operation.



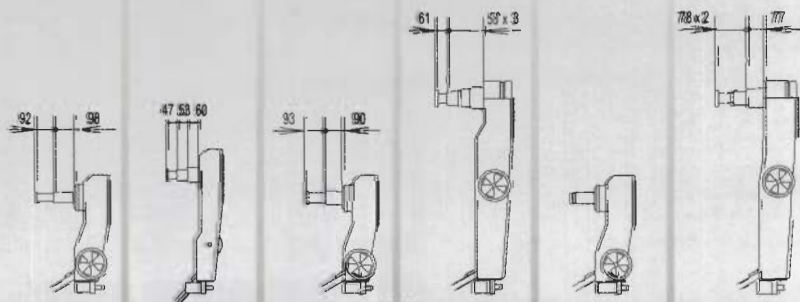
Single control switch. Handy and easy to use.



| Referencias | | Dimensiones (mm) | |
|-------------|----------|------------------|------|
| Gato | Platillo | A | B |
| MGNT-10 | A-5200 | 58,5 | 26,5 |
| MGNT-14C | A-5202 | 63 | 28 |
| MGNT-14L | A-5201 | 90 | 32,5 |
| MGN-20 | A-5202 | 63 | 28 |
| MGNT-20 | A-5201 | 90 | 32,5 |

| Capacity (t) | 10/20 | 10/18/34 | 14/25 | 14/25/40/60 | 20 | 20/40/60 |
|----------------------|-------|----------|-------|-------------|------|----------|
| Measures (mm) | | | | | | |
| A | 185 | 120 | 185 | 155 | 214 | 180 |
| B | 158 | - | 183 | 183 | 158 | 183 |
| C | 300 | 207 | 330 | 315 | 300 | 315 |
| D | 1420 | 1380 | 1420 | 1435 | 1440 | 1435 |
| E | 1040 | 960 | 1040 | 1060 | 1065 | 1060 |
| F | 220 | 203 | 220 | 225 | 245 | 225 |
| G | 1310 | 1410 | 1310 | 1700 | 1315 | 1720 |
| H | 170 | 136 | 170 | 185 | 195 | 185 |
| I | 1475 | 1475 | 1475 | 1485 | 1475 | 1485 |
| J | 600 | 735 | 600 | 1085 | 600 | 1085 |
| K | 190 | 160 | 183 | 235 | 115 | 233 |
| L | 375 | 280 | 368 | 390 | 329 | 413 |
| M | 215 | 185 | 215 | 230 | 240 | 230 |
| N | 335 | 356 | 335 | 443 | 335 | 423 |
| O | 475 | 380 | 468 | 490 | 412 | 513 |
| P | 53 | 42 | 65 | 86 | 53 | 84 |
| Q | 114 | 130 | 114 | 88 | 114 | 88 |
| Weight (kg) | 39,5 | 44 | 46,5 | 74 | 43,5 | 77 |

Minimum air pressure required :
7-10 bar / 100-145 psi
Necessary air flow:
270 l/min / 9.5 cfm



| Referencias | MGNT-10 | MGNT-10LA | MGNT-14C | MGNT-14L | MGN-20 | MGNT-20 |
|-------------|---------|-----------|----------|----------|--------|---------|
|-------------|---------|-----------|----------|----------|--------|---------|

AIR HYDRAULIC BOTTLE JACKS

These jacks are mainly used with vehicles fitted with a compressed air tank. They are very compact models. Their monoblock –integrated tank- unweld construction reduces their dimensions and makes transportation easier. Ideal for work en route.



All models are fitted with carrying handle, a safety overload valve, hydraulic stroke limitation and piston treated with liquid nitriding to ensure a long working life. They have a fast load approach screw and a high performance pneumatic pump with remote control drive. The operator will always be in control of the descent even if the air supply is interrupted.

The MGH series models are fitted with a manual pump and manual release so that they can be operated as a portable bottle jack. The lowering is controlled by adjusting the release valve.

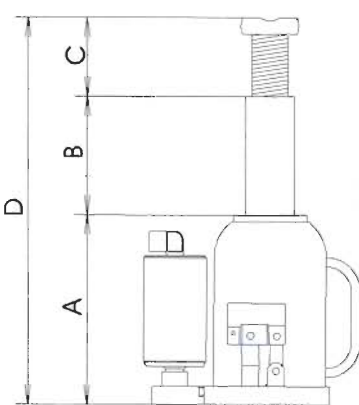
The MGH-30 A model adds to all the technical advantages of our standard range thicker base and reinforced internal structure. The release system is equipped with our LCS lowering control system. Automatic dead man's system remote control operation button provides great comfort and safety in use.



The 30 t models are supplied in a metal box.



INDISPENSABLE



| Capacity (t) | 12 | 15 | 20 | 30 | 30 |
|--------------------------------------|---------------------|--------|--------|--------|---------|
| Measures (mm) | | | | | |
| A | 226 | 228 | 234 | 242 | 255 |
| B | 140 | 140 | 138 | 138 | 138 |
| C | 75 | 75 | 75 | 75 | 75 |
| D | 441 | 443 | 447 | 455 | 468 |
| Weight (kg) | 14 | 15 | 15,5 | 23,5 | 25,5 |
| Minimum air pressure required | 7 bar / 100 psi | | | | |
| Necessary air flow | 270 l/min / 9.5 cfm | | | | |
| References | MGH-12 | MGH-15 | MGH-20 | MGH-30 | MGH-30A |

For use in pits and underneath elevated vehicles.
 The lifting and lowering of the load using the foot pedals allow the hands to be free for other jobs.
 Easily manoeuvrable thanks to the five swivel castors.
 The large base size provides high stability under load.
 With ergonomic swivel handle.



HIGH LIFT TRANSMISSION JACKS



FMG-300A

OPTIONAL
 For all models:



PF-1200A
 Adjustable saddle with chains.



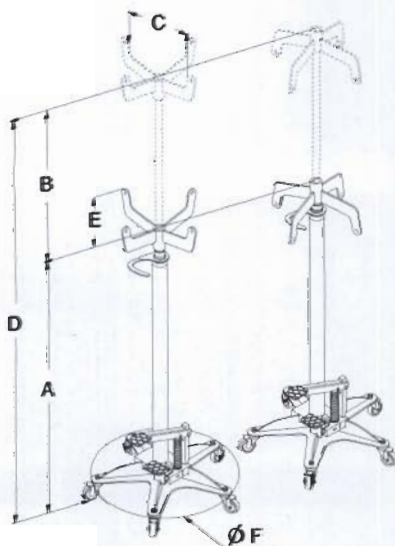
C-17
 Extra saddle.



A-5180
 Rubber pad for the saddle.



FMGT-1200A



| capacity (kg) | 300 | 750 | 1200 | 1200 |
|----------------------|----------|----------|-----------|------------|
| Measures (mm) | | | | |
| A | 1184 | 1193 | 1193 | 900 |
| B | 850 | 820 | 815 | 1000 |
| C | 304 | 304 | 304 | 304 |
| D | 2034 | 2013 | 2008 | 1900 |
| E | 89 | 89 | 89 | 89 |
| F | 550 | 650 | 650 | 650 |
| Weight (kg) | 24,5 | 32,5 | 36 | 36 |
| References | FMG-300A | FMG-750A | FMG-1200A | FMGT-1200A |

CRANES

They include the following special features giving technical advantages over other models.

1. Swivel hydraulic unit up to 135° facilitates user's position when operating the crane. The pump piston spring improves operation.



2. Lifting and lowering ergonomic pump handle with "dead man's" principle operation.



3. The FC-5A, FC-10A and NC-10A models are fitted with 80 mm minimum height legs that can be used in areas of restricted space.



4. The extendable jib is fitted with a handle to facilitate positioning on the lifting arm. It has three openings to indicate the lifting capacity on each point.



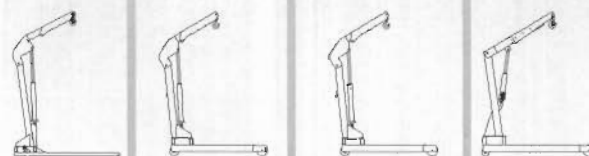
Demountable

All models are fitted with polyamide wheels and castors to facilitate manoeuvrability. These wheels will not damage garage floors, do not rust and are quiet in operation. The extendable jib, swivel castors and hook with latch allow easy access to the load and are very manoeuvrable.



The 3t model, NC-30, is fitted with a two piston pump.

| Capacity (kg) | 1000 | 1500 | 2000 | 3000 |
|----------------------|------|------|------|------|
| Measures (mm) | | | | |
| A | 1670 | 1690 | 1690 | 2000 |
| A2 | - | - | - | - |
| E | 2300 | 2350 | 2340 | 2760 |
| G | 2440 | 2500 | 2470 | 2920 |
| J | 1800 | 1870 | 1870 | 2150 |
| K | 820 | 820 | 820 | 1120 |
| L | 980 | 980 | 980 | 1290 |
| M | 80 | 200 | 200 | 265 |
| R Min. | 1260 | 1275 | 1275 | 1620 |
| R Med. | 1405 | 1420 | 1420 | 1765 |
| R Max. | 1550 | 1570 | 1570 | 1910 |
| P | - | - | - | - |
| S | - | - | - | - |
| Weight (kg) | 130 | 150 | 180 | 302 |



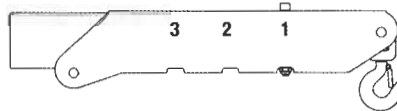
| References | NC-10A | NC-15A | NC-20A | NC-30 |
|------------|--------|--------|--------|-------|
|------------|--------|--------|--------|-------|



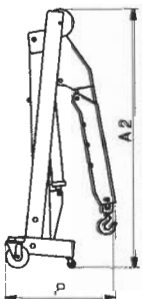
FC-10A

Folding

These models fold quickly and require only a small space. They are easily moved thanks to the small wheels which are fitted.

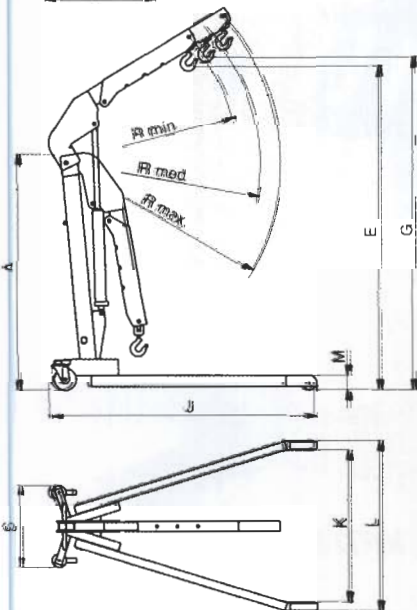


| MODEL | POSITION | | |
|---------------------|----------|---------|---------|
| | 1 | 2 | 3 |
| FC-5A | 500 kg | 400 kg | 325 kg |
| FC-10A/NC10A | 1000 kg | 800 kg | 700 kg |
| NC-15A | 1500 kg | 1250 kg | 1150 kg |
| FC-20A/NC20A | 2000 kg | 1750 kg | 1650 kg |
| NC-30 | 3000 kg | 2500 kg | 2300 kg |



A-5298
Load leveler
(Optional)

AB-300
Drum lifting clamp
(Optional: see page 28)



| Capacity (kg) | 500 | 1000 | 2000 |
|----------------------|------|------|------|
| Measures (mm) | | | |
| A | 1400 | 1675 | 1720 |
| A2 | 1400 | 1675 | 1790 |
| E | 1970 | 2275 | 2340 |
| G | 2080 | 2415 | 2500 |
| J | 1500 | 1695 | 1900 |
| K | 820 | 935 | 1035 |
| L | 970 | 1085 | 1160 |
| M | 80 | 80 | 200 |
| R Min. | 1050 | 1260 | 1275 |
| R Med. | 1150 | 1405 | 1420 |
| R Max. | 1250 | 1550 | 1570 |
| P | 465 | 545 | 635 |
| S | 450 | 450 | 570 |
| Weight (kg) | 92 | 121 | 173 |



| References | FC-5A | FC-10A | FC-20A |
|------------|-------|--------|--------|
|------------|-------|--------|--------|

PRESSES

Workbench adjustable for height.

Manual screw extension for quick approach and fine adjustment.

Automatic spring return piston.

Different pump options: single or two speed manual, manual-pneumatic and electric pumps, depending on the working speed required.



Ø30 Ø25 Ø22 Ø20 Ø18 Ø16 Ø12

Weight: 13 (kg)

Optional: A-5552/15 For 15 t presses
A-5552/30 For 30 and 50 t presses
Plate, adapter and set of punches.



**Optional:
BKN-09**



**Optional:
A-5553**

BKN-09: Manual and air-powered pump.

A-5553: For foot pedal pneumatic operation of BKN-09 pump.

New, compact and functional design which integrates all the hydraulic elements within the chassis, provides a saving in the workshop space and ensures protection in transport.

Supplied fully assembled and ready for work. Winch to assist easy and rapid handling of the workbench on the models KP-30A, KPD-30A, KPD-50A and KP-100. This last press is fitted with a double acting cylinder for which operation we recommend the use of an electric pump as an option.



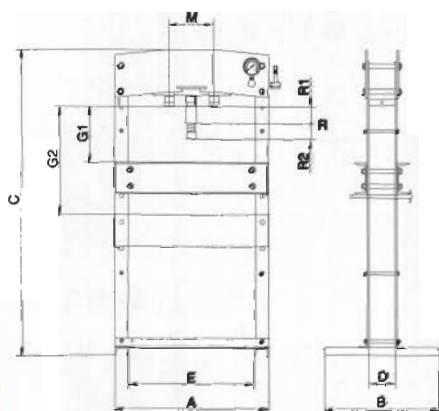
KPD-50A

The KPD and KP-100 models are fitted with a two-piston pump. Set of two V blocks included and legs with boltholes for fixing to the floor.

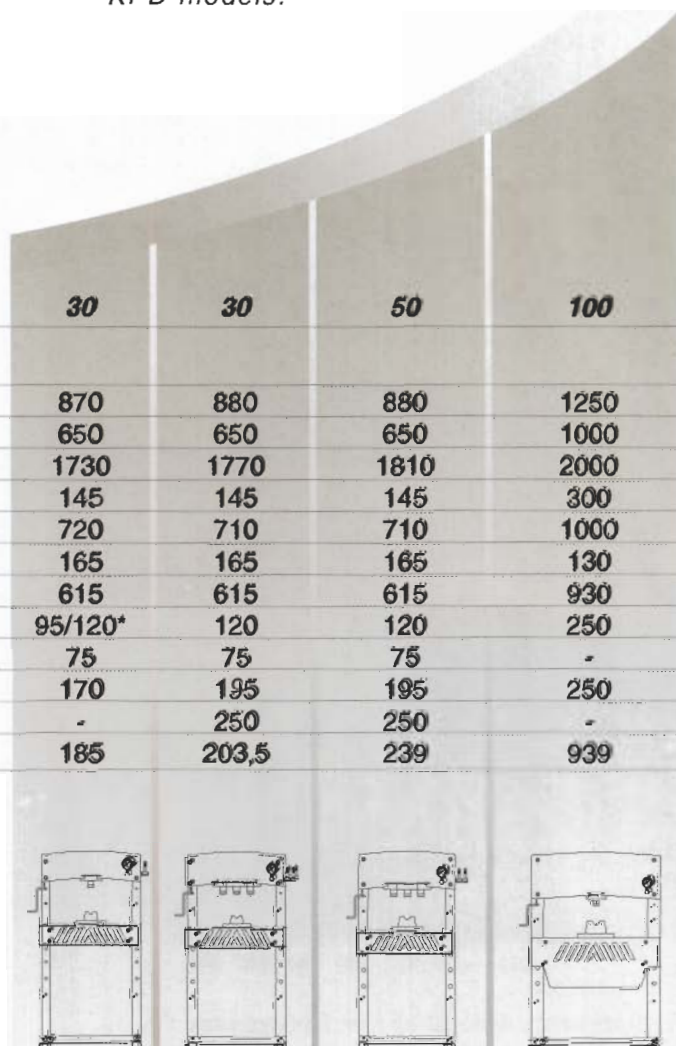
Pressure gauge with damper to lengthen its useful life. It is positioned at eye level to make for easy reading.



Sliding cylinder all along the head on KPD models.



| Capacity (t) | 30 | 30 | 50 | 100 |
|----------------------------|---------|-------|------|------|
| Measures (mm) | | | | |
| A | 870 | 880 | 880 | 1250 |
| B | 650 | 650 | 650 | 1000 |
| C | 1730 | 1770 | 1810 | 2000 |
| D | 145 | 145 | 145 | 300 |
| E | 720 | 710 | 710 | 1000 |
| G1 Minimum | 165 | 165 | 165 | 130 |
| G2 Maximum | 615 | 615 | 615 | 930 |
| R1 Hydraulic stroke | 95/120* | 120 | 120 | 250 |
| R2 Extension stroke | 75 | 75 | 75 | - |
| R Total stroke | 170 | 195 | 195 | 250 |
| M Side stroke | - | 250 | 250 | - |
| Weight (kg) | 185 | 203,5 | 239 | 939 |



| References | | | | |
|----------------------------------|----------|-----------|-----------|---------|
| With manual pump | KP-30A | KPD-30A | KPD-50A | KP-100 |
| With BKN-09 pump | KP-30AN* | KPD-30AN | KPD-50AN | - |
| With BKN-09 - A-5553 pump | KP-30ANF | KPD-30ANF | KPD-50ANF | - |
| With electric pump | KP-30AE | KPD-30AE | KPD-50AE | KP-100E |

PRESSES

We manufacture two models: The KMG / KSG Monoblock version and the KCK and KSC presses with cylinder and independent pump.

Workbench adjustable for height.

Manual screw extension for quick approach and fine adjustment.

Automatic spring return piston.
Different pump options: single or two speed manual, manual-pneumatic and electric pumps, depending on the working speed required (on KCK and KSC models).

In-built pressure relief valve to prevent overload, on models KCK and KSC.



Ø30 Ø25 Ø22 Ø20 Ø18 Ø16 Ø12

Weight: 13 (kg)

Optional: A-5552/15 For 15 t presses
A-5552/30 For 30 and 50 t presses
Plate, adapter and set of punches.

New compact and functional design that integrates all the hydraulic elements within the chassis, provides a saving in the workshop space and ensures protection in transport.

Supplied fully assembled and ready for work. Winch to assist easy and rapid handling of the workbench for model KCK-50A.

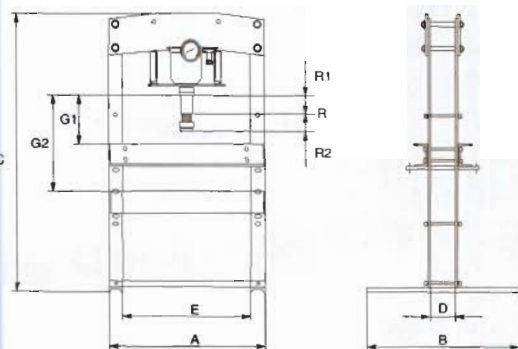
Set of two V blocks included and legs with boltholes for fixing to the floor.



KMG-30A

Pressure gauge with damper to lengthen its useful life. It is positioned at eye-level to make for easy reading.

The KCK-50A model is fitted with a two-piston pump.



| Capacity (t) | 10 | 15 | 15 | 15 | 30 | 15 | 30 | 50 |
|----------------------------|-----|-----|-----|------|------|------|---------|---------|
| Measures (mm) | | | | | | | | |
| A | 605 | 610 | 605 | 610 | 670 | 605 | 670 | 710 |
| B | 420 | 420 | 420 | 650 | 650 | 650 | 650 | 650 |
| C | 940 | 950 | 940 | 1675 | 1750 | 1650 | 1750 | 1810 |
| D | 120 | 90 | 120 | 90 | 110 | 120 | 120 | 145 |
| E | 500 | 500 | 500 | 500 | 550 | 500 | 550 | 550 |
| G1 Minimum | 160 | 150 | 150 | 150 | 150 | 150 | 180 | 165 |
| G2 Maximum | 460 | 300 | 450 | 600 | 600 | 600 | 630 | 615 |
| R1 Hydraulic stroke | 135 | 150 | 95 | 150 | 150 | 95 | 95/120* | 95/120* |
| R2 Extension stroke | - | 75 | 75 | 75 | 75 | 75 | 75 | 75 |
| R Total stroke | 135 | 225 | 170 | 225 | 225 | 170 | 170 | 195 |
| Weight (kg) | 74 | 72 | 77 | 84 | 136 | 89 | 137 | 214 |

References

| | | | | | | | | |
|---------------------------|----------|---------|----------|---------|---------|----------|-----------|-----------|
| With manual pump | KSC-10A | KSG-15A | KSC-15A | KMG-15A | KMG-30A | KCK-15A | KCK-30A | KCK-50A |
| With BKN-09 pump | KSC-10AN | - | KSC-15AN | - | - | KCK-15AN | KCK-30AN* | KCK-50AN* |
| With electric pump | - | - | - | - | - | - | KCK-30AE | KCK-50AE |

BODY REPAIR KITS

Indispensable for jobs such as body repairs, rescues and roadside service or any other pushing, pulling, spreading or lifting applications that require hydraulic force.

Piston retracts by spring.

The threading connection of components provides higher strength and safety than other connection methods.

Supplied in a metal box. All the components are ranged in compartments in two polyexpand trays.



GC-10

The 5 and 20 T models are supplied in a metal box.



GC-5



IMPORTANT: As the cylinders have higher capacity than the components, namely chains, cylinder toes, tube extensions, etc., they should never exceed half their rated capacity. The maximum capacity of the SH-1 spreading cylinder is 1t. Maximum working load of the chain: 1t on the GC-10 and 500 kg on the GC-5



Options

Cylinders



Pulling

| Ref. | Mod. | Cap. t | Hydraulic stroke mm | Weight kg |
|--------|-------|--------|---------------------|-----------|
| CT-2,5 | GC-5 | 2,5 | 127 | 2,1 |
| CT-5 | GC-10 | 5 | 138 | 4,1 |
| CT-10 | GC-20 | 10 | 138 | 8,3 |



Pushing

| Ref. | Mod. | Cap. t | Hydraulic stroke mm | Weight kg |
|---------|-------|--------|---------------------|-----------|
| CC-5-A | GC-5 | 5 | 50 | 1,5 |
| CC-10-A | GC-10 | 10 | 50 | 2,1 |
| CC-20-A | GC-20 | 20 | 50 | 4,5a |

| Ref. | Operating press. kg/cm ² | Effective oil cap. cm ³ | Oil flow per stroke cm ³ | Weight kg |
|-------|-------------------------------------|------------------------------------|-------------------------------------|-----------|
| BMP-1 | 700 | 1250 | 2,5 | 7,6 |

| Ref. | Air press. kg/cm ² | Operating press. kg/cm ² | Effective oil cap. cm ³ | Oil flow cm ³ /min | Air flow l/min | Weight kg |
|------|-------------------------------|-------------------------------------|------------------------------------|-------------------------------|----------------|-----------|
| NS-1 | 7 | 700 | 500 | 50 | 270 | 7 |

BODY REPAIR KITS



Pumps



BMP-1
Foot pedal pump



NS-1
Air-powered pump

| Capacity (t) | 5 | 10 | 20 |
|--------------------|---------------------|---------------------|---------------------|
| Nº | | | |
| 1 | BM-04 | BM-04 | BM-04 |
| 2 | CC-5-B | CC-10-B | CC-20-B |
| 3 | A-5167 | A-5067 | A-5167 |
| 4 | A-5541 | A-5541 | A-5541 |
| 5 | A-5133 / Ø 26 L 700 | A-5033 / Ø 42 L 700 | A-5233 / Ø 60 L 700 |
| 6 | A-5134 / Ø 26 L 480 | A-5034 / Ø 42 L 480 | A-5234 / Ø 60 L 480 |
| 7 | A-5135 / Ø 26 L 230 | A-5035 / Ø 42 L 230 | A-5235 / Ø 60 L 255 |
| 8 | A-5148 | A-5048 | |
| 9 | A-5142 | A-5042 | A-5242 |
| 10 | A-5138 | A-5038 | A-5238 |
| 11 | A-5153 | A-5053 | |
| 12 | A-5154 | A-5054 | |
| 13 | A-5155 | A-5055 | A-5284 * |
| 14 | A-5150 | A-5050 | A-5280 * |
| 15 | A-5139 | A-5039 | A-5239 |
| 16 | A-5136 / Ø 26 L 130 | A-5036 / Ø 42 L 130 | |
| 17 | A-5149 | A-5049 | |
| 18 | SH-1 | SH-1 | |
| 19 | A-5143 | A-5043 | |
| 20 | A-5186 | A-5086 | |
| 21 | A-5157 | A-5057 | |
| 22 | A-5158 | A-5058 | |
| 23 | A-5156 | A-5056 | |
| 24 | A-5151 | A-5051 | A-5252 * |
| 25 | A-5152 | A-5052 | |
| Weight (kg) | 30 | 45 | 45 |
| References | GC-5 | GC-10 | GC-20 |

*For GC-20-M: Special design

BODY ALIGNING SET

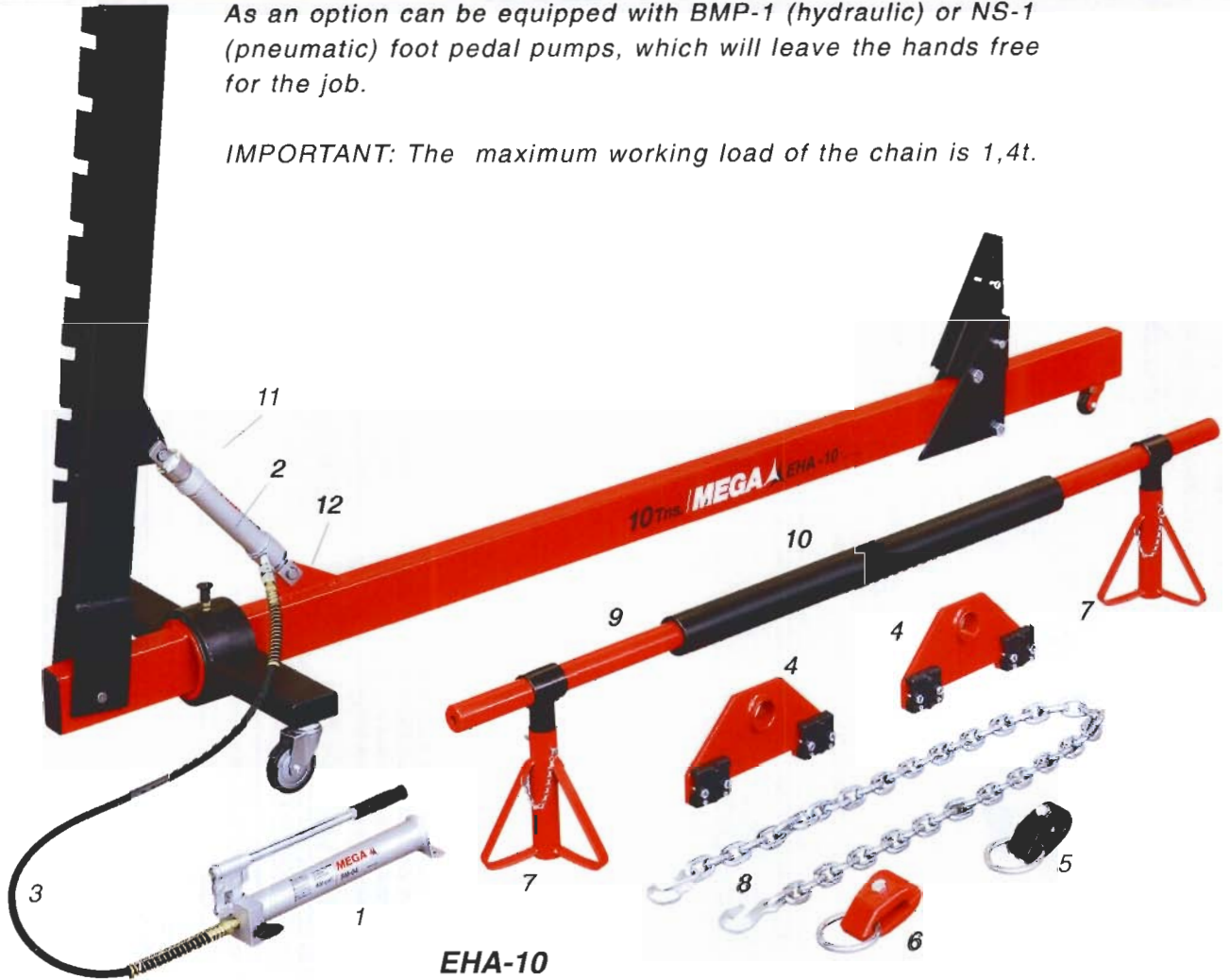
This set has been designed to carry out repairs to badly damaged cars.

With articulated body, it offers great performance as it allows pulling from different angles.



As an option can be equipped with BMP-1 (hydraulic) or NS-1 (pneumatic) foot pedal pumps, which will leave the hands free for the job.

IMPORTANT: The maximum working load of the chain is 1,4t.



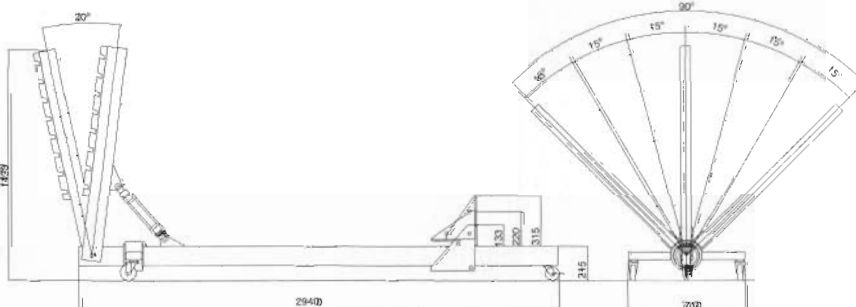
EHA-10



Optional NS-1
Air-powered pump

Accessories for EHA-10

| Nº | Ref. | Nº | Ref. | Nº | Ref. |
|----|---------|----|--------|----|--------|
| 1 | BM-04 | 5 | A-5095 | 9 | A-1512 |
| 2 | CC-10-B | 6 | A-5094 | 10 | A-1513 |
| 3 | A-5541 | 7 | S-21 | 11 | A-5088 |
| 4 | A-5096 | 8 | A-5087 | 12 | A-5089 |



Capacity (t)

10

Weight (kg)

178,5

Reference

EHA-10

AIR HYDRAULIC JACKING BEAMS



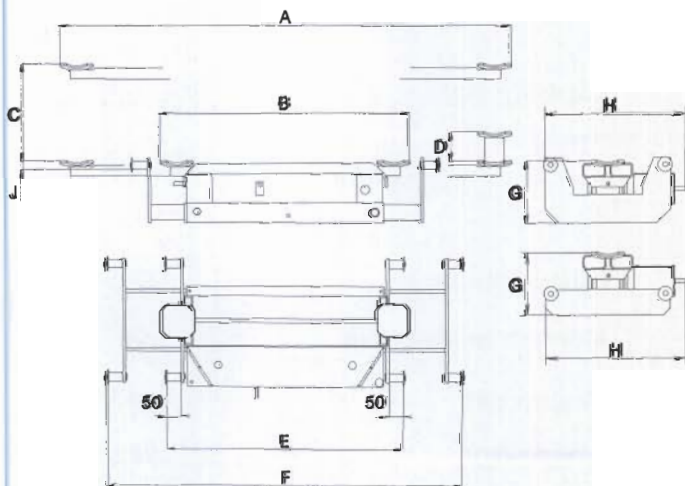
For use on four column lifting bridges or in pits. Enable the lifting of two wheels of the vehicle simultaneously. They are **thereby indispensable** for jobs such as wheel alignment, brake and suspension repairs, etc. They are suitable for any width of pit and rail. The extendable arms and extension lifting saddles facilitate the exact positioning of all vehicles. Sturdy construction. They can be supplied with either grooved or flat rollers upon request. As an additional safety measure the descent requires the use of both hands. Automatic mechanical locking device against unexpected descent. We manufacture 2 models: MA-2 and MA-21, depending on the end mounting brackets required.



Minimum air pressure required :
7-10 bar / 100-145 psi
Necessary air flow:
270 l/min / 9.5 cfm

Fitted with 2 extension adapters of 100 mm. In option, with safety rubber pad for the saddles.
Ref.A-5180

INDISPENSABLE



| Capacity (kg) | 2000 | 2000 |
|----------------------|------|-------|
| Measures (mm) | | |
| A | 1575 | 1575 |
| B | 870 | 870 |
| C | 340 | 340 |
| D | 100 | 100 |
| E | 830 | 792 |
| F | 1240 | 1202 |
| G | 220 | 220 |
| H | 490 | 490 |
| J | 30 | 160 |
| Weight (kg) | 129 | 125 |
| References | MA-2 | MA-21 |

TRANSMISSION JACK

Particularly useful in the replacement of differential sets, transmissions, gear boxes, engines etc.
The saddle is fitted with chains to ensure safe movement of load.
Equipped with a detachable pump, which allows the jack to be used in any position.



GCB-2

| | |
|---------------------------------|------------------|
| Capacity (kg) | 1000 |
| Table dimensions (mm) | 375 x 375 |
| Minimum height, lowered | 160 |
| Maximum height, extended | 730 |
| Hydraulic stroke | 570 |
| Weight (kg) | 86 |
| Reference | GCB-2 |

WHEEL DOLLY

Specially designed for removal of twin and large size wheels.
Fitted with chain to ensure safe movement of the wheel.
The rollers of the lifting arms provide easy manipulation of the wheels, thus achieving easy positioning when re-fitting to vehicles.



SRH

| | |
|-------------------------------|-------------|
| Capacity (kg) | 500 |
| Fork width (mm) | 600 |
| Minimum height to fork | 90 |
| Maximum lift | 240 |
| Weight (kg) | 92,5 |
| Reference | SRH |

MOTORCYCLE LIFT

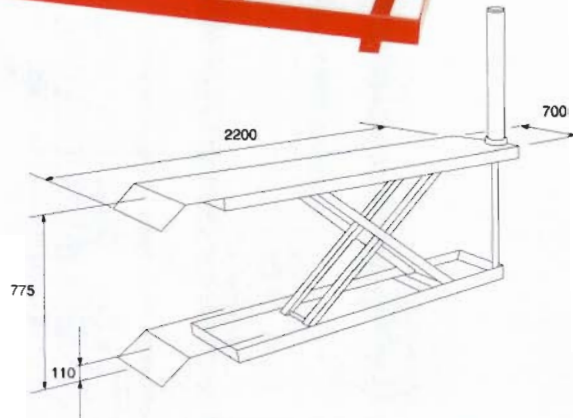
Air operated. Fitted with the fastest lifting speed in the market (from 3 to 8 seconds). Its adjustable safety device sets the table at the desired working height and prevents sudden and unforeseen descents. Manual control of descent speed. Delivered with a chain for a safe fixing of the front wheel.



PTM-2



A-5099 Clamp
(in option).
Device to clamp the motorcycle wheel to the table.



INDISPENSABLE

*Minimum air pressure required :
7-10 bar / 100-145 psi
Necessary air flow:
270 l/min / 9.5 cfm*

| | |
|---------------|--------------|
| Capacity (kg) | 450 |
| Weight (kg) | 161,5 |
| Reference | PTM-2 |

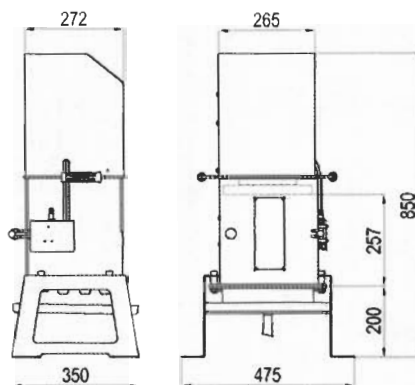
Reducing the size of the filter is the best method of saving shop space and also minimising costly disposal charges.

High performance air operated pump. Crushing capacity: 12 Ton. High crushing speed. Overload valve. Single control switch operates by "dead man's" principle. Security switch is equipped to prevent pump from operating once the door is opened.

OIL FILTER CRUSHER



AF-12



| | |
|--------------|--------------|
| Capacity (t) | 12 |
| Weight (kg) | 78 |
| Reference | AF-12 |

HYDRAULIC LIFTING TABLES

The rubber coated "T" handle facilitates easier operation.

All models are fitted with polyamide wheels and castors to facilitate manoeuvrability. These wheels do not damage garage floors, do not rust and are quiet in operation.

The table can be locked at different heights with safety bolts.



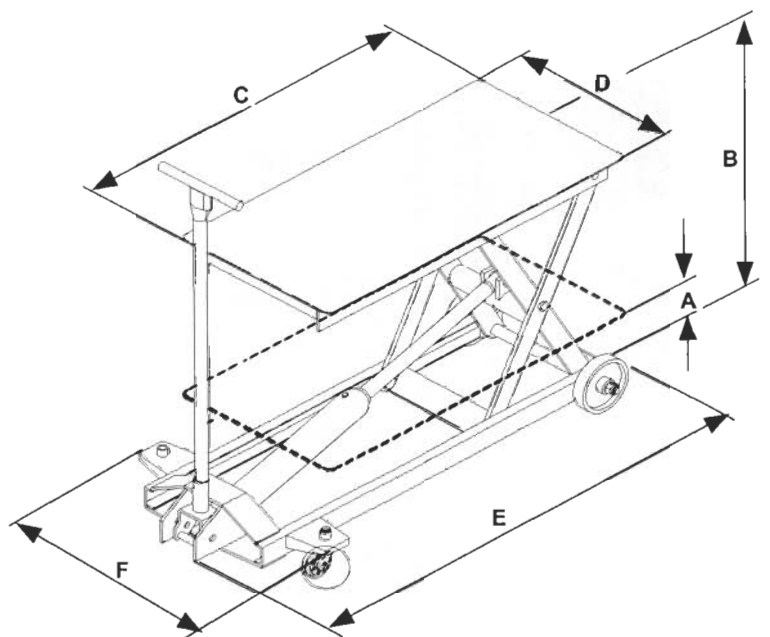
Safety distance between scissors, and between lifting platform and chassis.



Foot pedal for quick approach to load, ME-650 excluded.



MEP-650



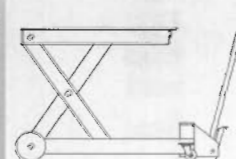
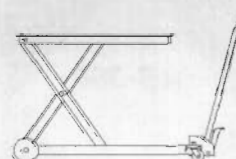
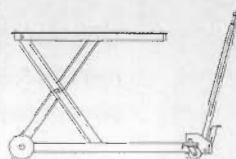
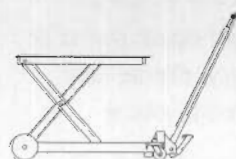
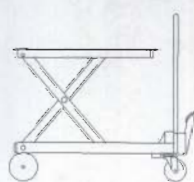


HYDRAULIC LIFTING



ME-2500

| Capacity (kg) | 650 | 650 | 1200 | 1500 | 2500 |
|----------------------|------|------|------|------|------|
| Measures (mm) | | | | | |
| A | 320 | 215 | 250 | 210 | 300 |
| B | 755 | 645 | 840 | 880 | 880 |
| C | 830 | 830 | 1020 | 1020 | 1060 |
| D | 500 | 500 | 500 | 500 | 540 |
| E | 1060 | 1060 | 1380 | 1380 | 1440 |
| F | 570 | 630 | 690 | 690 | 795 |
| Weight (kg) | 74,5 | 71 | 98 | 135 | 187 |



References

MEP-650

ME-650

ME-1200

ME-1500

ME-2500

HYDRAULIC DRUM DOLLY

For plastic and steel drums of 200 litres.

Suitable for loading drums on most commercial vehicles.

Lifting and lowering of the load using the foot pedals leave the hands free for the job.

European pallets get inside the chassis.



DRUM LIFTING CLAMP

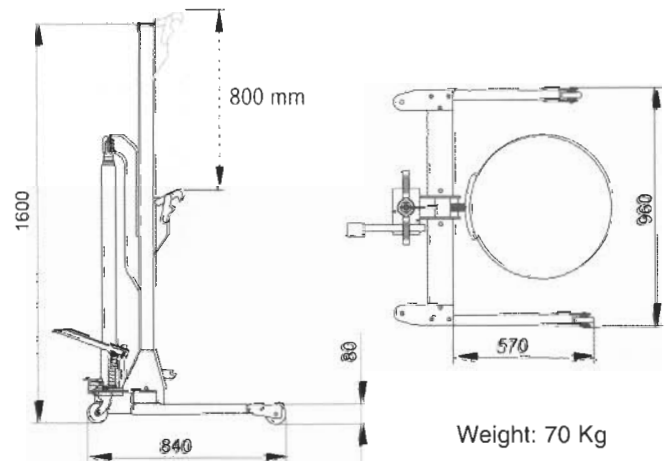


For 200 litre steel drums.

Only for tight head drums or removable top drums with covers locked in place



Automatic clamp. Just position the clamp under the tight head of the drum. Both clamping and release are made automatically.



HYDRAULIC PIPE BENDERS

For GAS pipes, DIN 2440 and DIN 2441.

Maximum bending angle: 180°.

Supplied in a wooden case, with tripod stand and the following sets of formers:

CVT-2: 1/2"- 3/4"- 1"- 1 1/4"- 1 1/2" y 2".

CVT-3: 1/2"- 3/4"- 1"- 1 1/4"- 1 1/2"- 2"- 2 1/2" y 3".

Fitted with retractable bending frames, indelibly marked, to facilitate easier positioning of bending supports and pipe.



CVT-2



Piston retracts automatically when the release valve is opened.

Complete instructions for use, maintenance and bending jobs are supplied with the machine.

All bending jobs can be carried out without physical effort thanks to the high force of the hydraulic unit (CVT-2, 15t; CVT-3, 20t).

Pipes up to

2"

3"

Capacity (t)

15

20

Weight (kg)

59

110,5

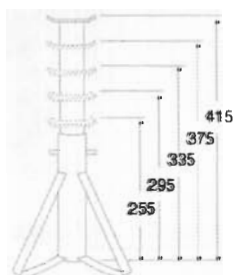
References

CVT-2

CVT-3

Stand to keep the load lifted as a safety measure.

Capacity: 2t



S-2



STAND

JACK EXHIBITORS

A-5550. *Very compact and attractively built.*

Most popular MEGA bottle jacks are nicely displayed on a very reduced space.

The range displayed consists of one of the following references:

*MG-2; MGT-2; MG-5;
MG-5EM; MG-8; MG-10;
MG-15; MG-20; MG-25;
MG-30.*



A-5551L



A-5550

A-5551L. *This exhibitor facilitates the combined presentation of both bottle and trolley jacks. Can be knocked down completely.*

The range displayed consists of one of the following references:

*MG-2; MGT-2; MG-5; MG-8;
MG-10; MG-15; MG-20;
MG-30.
TJ-2A; TJC-2A; TJ-3A.*

MEGA OIL



A-5535
Volume: 2l

A-5536
Volume: 5l



REPAIR KITS

For every hydraulic article in this catalogue. Always please indicate the reference of the item for which the kit is intended.

INDUSTRIAL RANGE

We manufacture a large variety of standard industrial equipment.

On request, we design special hydraulic tools incorporating different technical features for specific applications. For example: telescopic cylinders, aircraft jacks, ship propeller shaft hydraulic pullers, etc.

We always have a hydraulic solution for your specific problem.

The "Industrial hydraulic equipment" catalogue is available on demand.



MEGA reserves the right to change, without prior notice, all the models and their characteristics.



MEGA 

MELCHOR GABILONDO, S.A.

Polígono Industrial Eitua, 6 - 48240 BERRIZ (VIZCAYA) ESPAÑA / Tel. 94 622 50 90

Intl. 34-94 622 50 90 / Telefax: 94 622 52 78 / Intl. 34-94 622 52 78

Teléfono ventas: 94 622 50 30 / Telefax ventas: 94 682 73 50

e-mail: interior@mega-sa.com / export@mega-sa.com

Web: [http:// www.mega.es](http://www.mega.es)