



Universal Hydraulic Cylinders



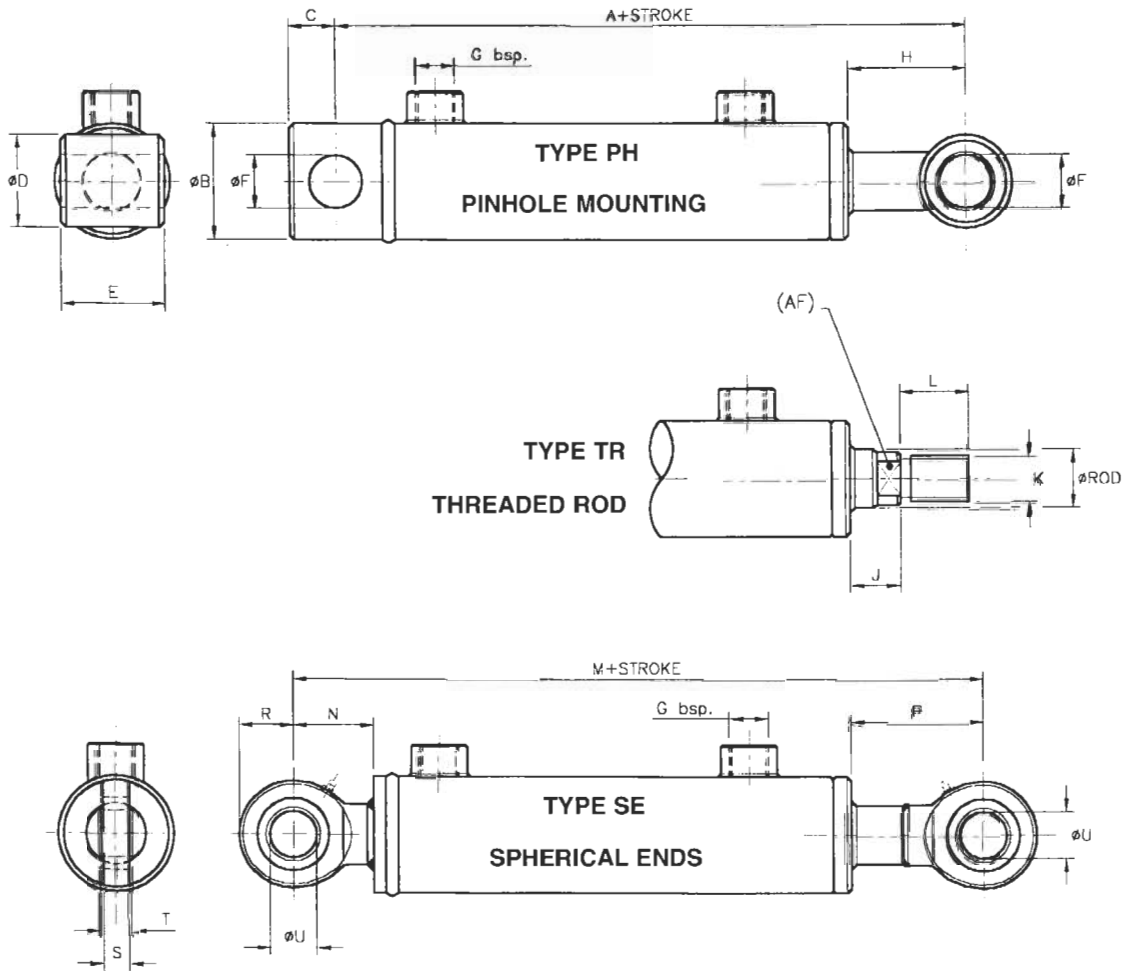
Page 58 -

Pinhole Mounted Cylinders,
Spherical Ended Cylinders,
Optional Threaded Rod.

hydraulic cylinders

ORDERING CODE

BORE **STROKE** **REAR END TYPE** **ROD TYPE**
UHC **80** — **200** — **PH** — **TR**



| Bore Dia | Rod Dia | A mm | B mm | C mm | D mm | E mm | øF mm | G mm | H mm | J mm | K mm | L mm | AF mm | M mm | N mm | P mm | R mm | S mm | T mm | øU mm |
|----------|---------|------|------|------|------|------|-------|------|------|------|---------|------|-------|------|------|------|------|------|------|-------|
| 32 | 20 | 155 | 40 | 17 | 30 | 35 | 16.2 | 1/4" | 28 | 18 | M12x1.5 | 18 | 14 | 207 | 31 | 44 | 20 | 10 | 12 | 15 |
| 40 | 25 | 170 | 50 | 19 | 35 | 40 | 20.5 | 3/8" | 50 | 18 | M16x2 | 24 | 19 | 207 | 38 | 51 | 26.5 | 13 | 16 | 20 |
| 50 | 30 | 200 | 60 | 25 | 40 | 45 | 25.5 | 3/8" | 54 | 18 | M24x2 | 36 | 24 | 239 | 45 | 58 | 32 | 17 | 20 | 25 |
| 60 | 30 | 200 | 70 | 25 | 40 | 45 | 25.5 | 3/8" | 54 | 18 | M24x2 | 36 | 24 | 239 | 45 | 58 | 32 | 17 | 20 | 25 |
| 70 | 40 | 210 | 80 | 25 | 50 | 55 | 30.5 | 3/8" | 38 | 20 | M27x2 | 40 | 30 | 279 | 51 | 64 | 36.5 | 19 | 22 | 30 |
| 80 | 40 | 210 | 90 | 25 | 50 | 55 | 30.5 | 3/8" | 38 | 20 | M27x2 | 40 | 30 | 315 | 69 | 82 | 46 | 23 | 28 | 40 |
| 100 | 50 | 225 | 115 | 34 | 65 | 70 | 30.5 | 3/8" | 46 | 22 | M33x2 | 50 | 41 | 356 | 77 | 92 | 51 | 27 | 32 | 45 |
| 120 | 70 | 270 | 140 | 40 | 80 | 80 | 40.5 | 1/2" | 55 | 30 | M55x2 | 83 | 60 | 406 | 88 | 103 | 56 | 30 | 35 | 50 |

